

Location: _____

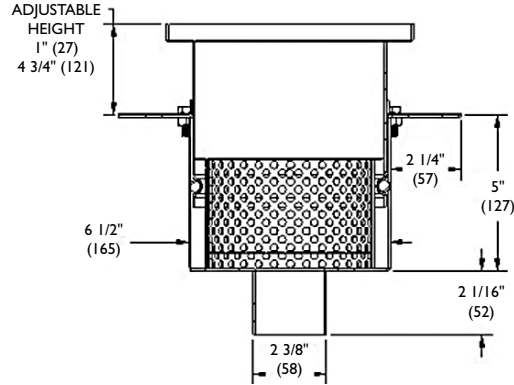


P3080-S

**8" x 8", Adjustable Depth, Type 316
Stainless Steel Fabricated Floor Drain**

Specification: MIFAB® Series P3080-S, 8" x 8" square floor drain manufactured out of 16 gauge, Type 316 stainless steel with anchor flange and slotted special duty stainless steel grate with bead blasted finish and sediment bucket. Grate free area of 26 square inches. Bottom outlets are available in 3" or 4" no hub outlet connections and fabricated as part of the floor drain.

Function: Used in industrial, commercial, kitchen and other hygienic areas. Type 316 stainless steel construction provides for ease of cleaning, maintenance and sanitary installation. All grate openings are polished to a smooth finish. Deep sump ideal for installations that require a sediment bucket to receive debris. Adjustable top assembly for easier installation.



Special duty round slotted grate with finger holes (-RS)
(Grate part # - P3080-PG-RS)



SCAN ME



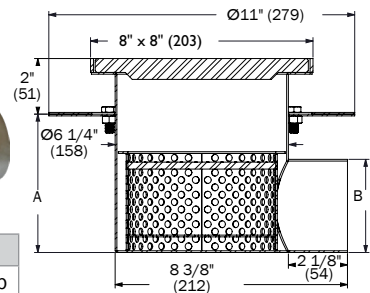
Special duty solid cover with perimeter drain gap (-PD)
(Grate part # - P3080-PG-PD)

MODEL NUMBER	DESCRIPTION	WEIGHT Lbs.
P3083-S	8" x 8" square, Type 316 Stainless Steel Fabricated Floor Drain and Sediment Bucket, (16 Gauge Body and special duty grate with 3" No Hub outlet).	6
P3084-S	8" x 8" square, Type 316 Stainless Steel Fabricated Floor Drain and Sediment Bucket, (16 Gauge Body and special duty grate with 4" No Hub outlet).	6

Optional -90 side outlet (with non-adjustable top)



MODEL	A	B
P3083-S-90	4" (102)	3" No Hub
P3084-S-90	5" [127]	4" No Hub



ANSI A112.21.1M Point Drain Special Duty Load Rated - Over 10,000 Lbs.

SUFFIX	OPTIONAL VARIATIONS
-6	Vandal Proof
-7	1/2" Trap Seal Primer connection
-7MG	MI-GARD Trap Seal Protection device (3" or 4")
-90	No Hub side outlet connection (specify 3" or 4")
-150	1/2 Grate
-175	3/4 Grate
-BW	Butt weld outlet connection (3" or 4")
-C	Membrane Clamp (includes anchor flange)
-NS	Anti-slip grate
-PD	1/2" thick, heavy duty solid cover with perimeter drain gap
-RS	1/2" thick, heavy duty, round slotted grate with finger holes
-T	Threaded outlet

CALIFORNIA PROPOSITION 65 WARNING. This product contains chemicals known to the State of California to cause cancer and birth defects or other reproductive harm.

Job Name: _____ Page No: _____
 Section No: _____ Contractor: _____
 Schedule No: _____ Purchase Order No: _____